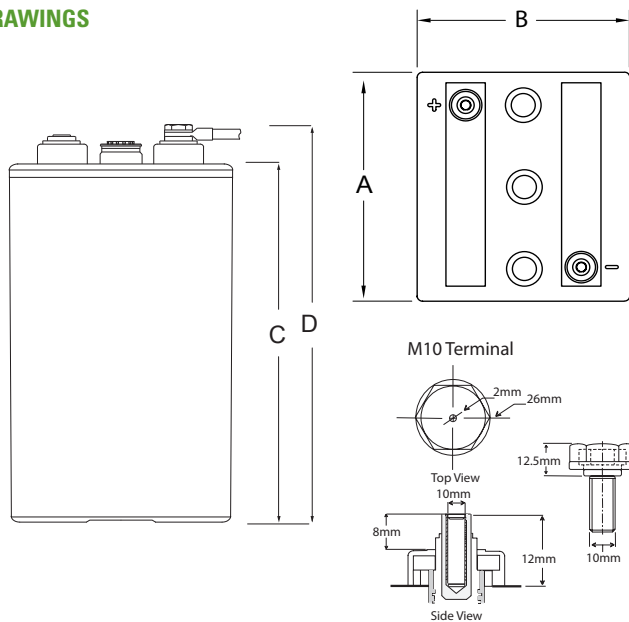


## Tubular Gel OPzV Battery Block

Discover<sup>®</sup> Tubular Gel RE Batteries provide superior deep cycling performance and reliability for demanding commercial, industrial and residential applications. Discover<sup>®</sup> Tubular Gel RE Batteries utilize Advanced Tubular Plate Technology to deliver long service life with maintenance-free requirements. Gel RE Batteries provide reliable energy storage for Stationary Backup and Telecom Networks, Road Surface, and Rail Traffic Signaling Systems, Solar, Wind, and Hybrid Off-grid and Grid-tie renewable energy applications. Discover<sup>®</sup> Tubular Gel RE Batteries provide maximum efficiency per discharge-charge cycle, and proven reliability in remote, high temperature, or unstable power network installations.

### MECHANICAL DRAWINGS



### MECHANICAL SPECIFICATIONS

Industry Reference	Tubular Gel OPzV	
Length (A)	15.0 in	380 mm
Width (B)	8.1 in	205 mm
Height (C)	13.1 in	332 mm
Total Height (D)	14.6 in	371 mm
Weight	139 lbs	63 kgs
Terminal	M10	
Poles	2	
Cell(s)	3	
Container	ABS	

### ELECTRICAL SPECIFICATIONS

Voltage	6	
Reference LVD / I10	20% DOD	6.1 V
	50% DOD	5.9 V
	80% DOD	5.7 V
Cycle Life	20% DOD	6000
	50% DOD	2500
	80% DOD	1700
Short Circuit	2740 A	
Self Discharge	2- 3% per month	
Maximum Operating Temperature	-20°C / -4°F   45°C / 113°F	
Recommended Operating Temperature	15°C / 59°F   35°C / 95°F	
Electrolyte	Gel	

### ELECTRICAL SPECIFICATIONS

240 HR	120 HR	100 HR	20 HR	10 HR
1.85 Volts Per Cell (VPC)			1.75 Volts Per Cell (VPC)	
337 AH	335 AH	331 AH	283 AH	257 AH

NOTE: All Electrical Specifications are based on 20°C / 68°F temperature.

### BENEFITS & FEATURES

Engineered to deliver 80% of rated capacity above 11.5 Volts.

Tubular positive plates and proprietary alloy compositions to provide a 50% Depth of Discharge cycle life of up to 2500 cycles @ 20°C|68°F.

Low cost per cycle. Lifetime value maximized especially in hybrid systems where using batteries can dramatically reduce generator run times delivering lower maintenance and fuel costs and less CO2 emissions.

Gel, Maintenance-Free, Valve Regulated Lead Acid Technology with integrated pressure relief valves and flame arrestors.

Complete and ready to install systems with all necessary accessories.

Tested to IEC 61427 standards and verified for compliance to applicable International Safety Standards.

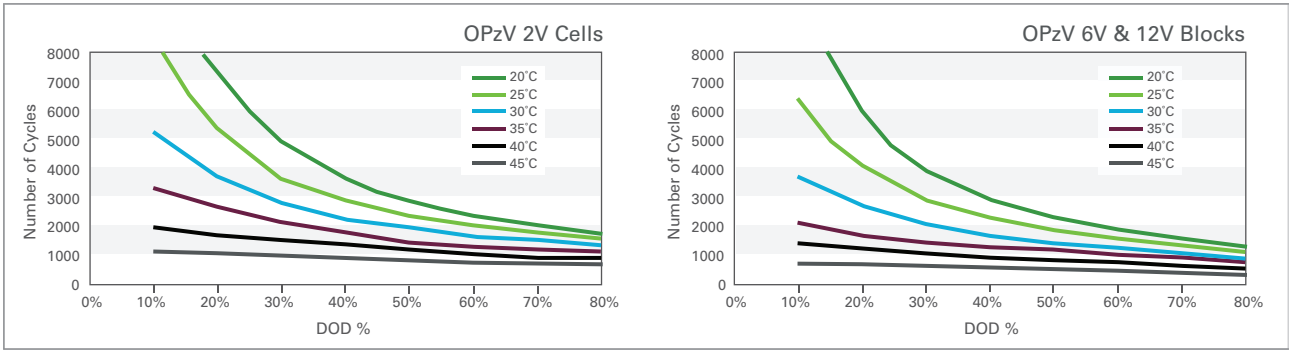
### CERTIFIED QUALITY

Discover and its facilities and products are certified to multiple standards and compliance:

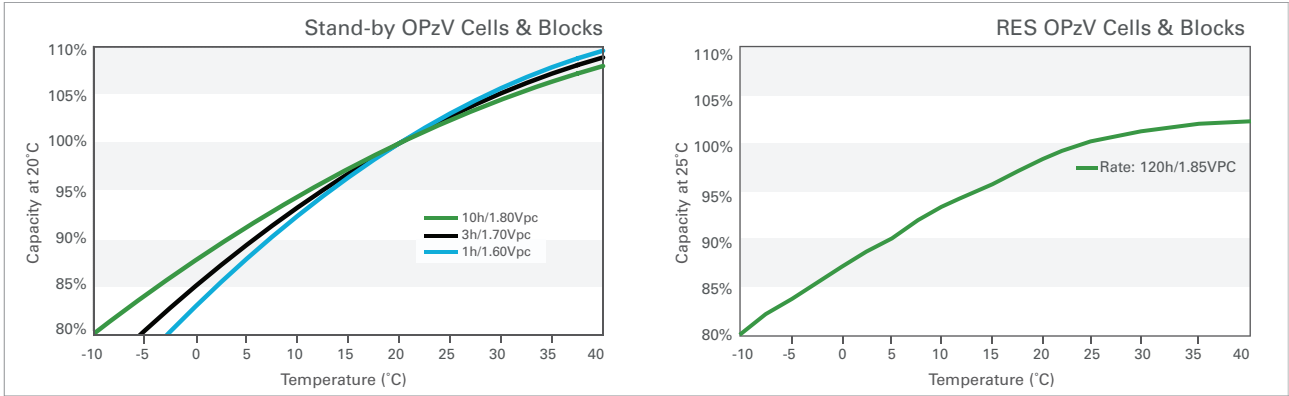
- IEC 60896-21: Requirements for Photovoltaic Energy
- IEC 60896-22: Requirements for Valve-Regulated lead-acid batteries
- DIN 40742: Specifications for Tubular Gel RE Cells
- DIN 40744: Specifications for Tubular Gel RE Blocks
- EN 50272-2: Safety Requirements for stationary batteries
- ISO 9001, ISO 14001, BS OHSAS 18001: Manufacturing and Production facilities.
- ETTS Germany



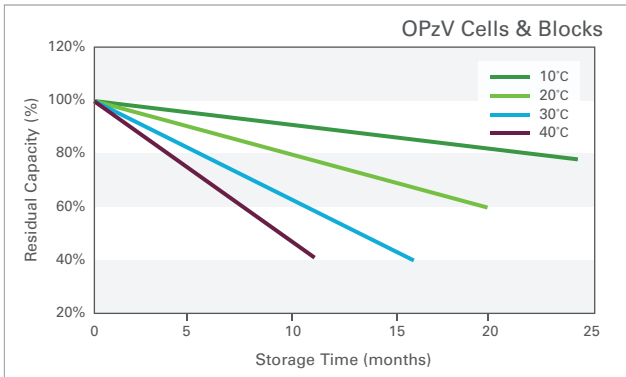
### EXPECTED NUMBER OF CYCLES IN RELATION TO THE DEPTH OF DISCHARGE



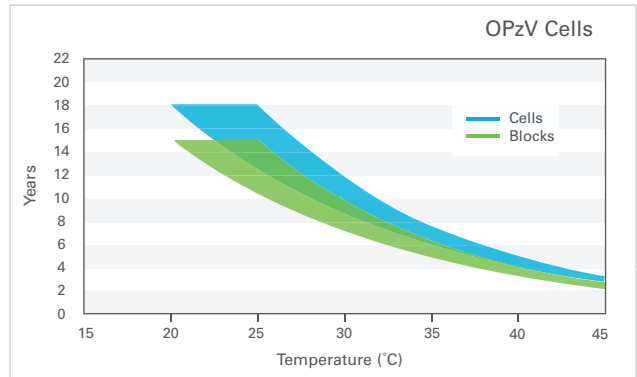
### CAPACITY IN RELATION TO THE TEMPERATURE



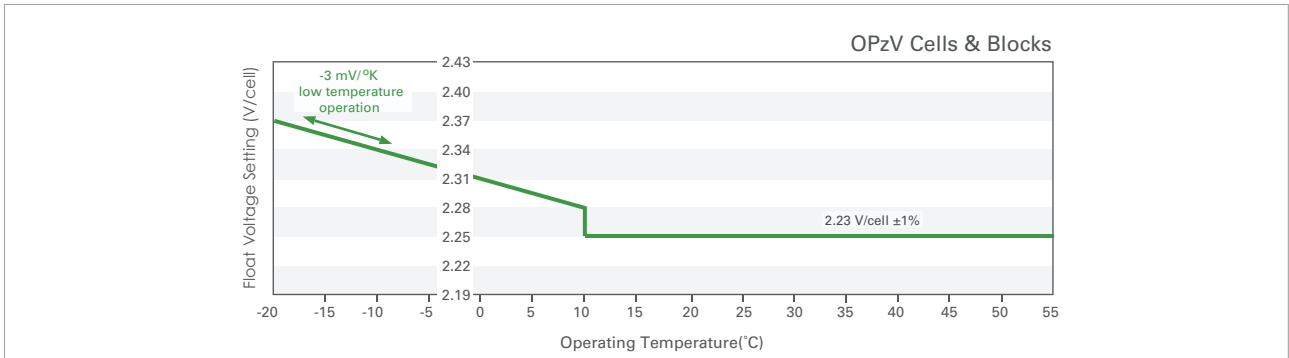
### SELF-DISCHARGE CHARACTERISTICS



### EXPECTED SERVICE LIFE IN RELATION TO OPERATING TEMPERATURE



### Float Voltage Setting in Relation to Operating Temperature



Discover® attempts to ensure the correctness of the product description and data contained herein. We reserve the right to change designs, specifications and pricing at any time without notice or obligation. It is the responsibility of the reader of this information to verify any and all information presented herein.