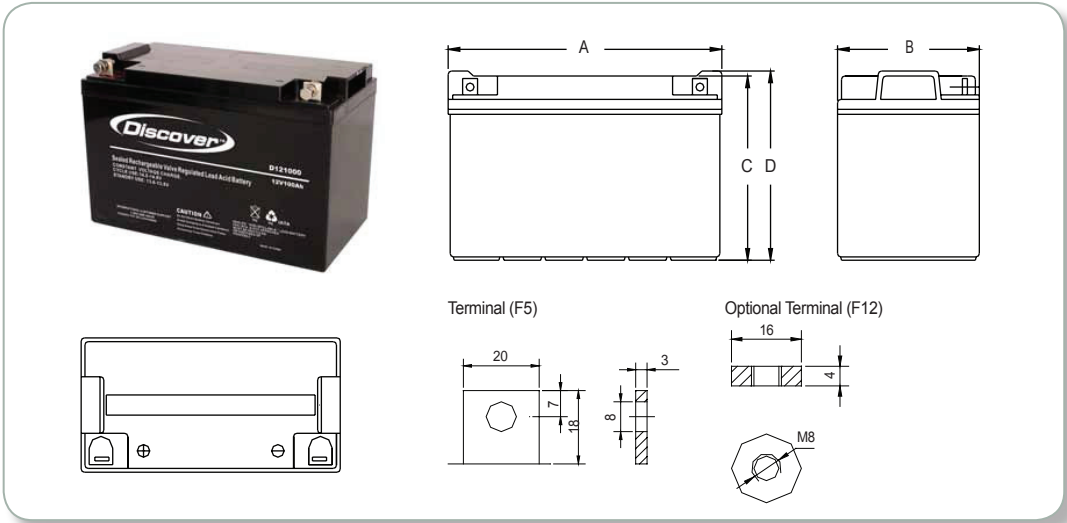


# D121200

## Float AGM Battery Block

Discover® AGM Series VRLA Industrial Batteries provide superior high integrity and reliability for commercial, industrial, and private applications. The maintenance-free Valve Regulated Lead Acid (VRLA) construction make Discover® Standard AGM Series Batteries the definitive choice for broadband and CableTV (CATV), Uninterruptible Power Supplies (UPS), telecommunications, and electronics and security applications.



### Mechanical Specifications

Industry Reference	31/30H	
Length [A]	12.99 in	330 mm
Width [B]	6.73 in	171 mm
Height [C]	8.43 in	214 mm
Total Height [D]	8.66 in	220 mm
Weight	71.6 lbs	32.5 Kgs
Terminal (Opt'l)	F5 (F12)	
Terminal Torque (NM)	(9.5-10.5)	
Cells	6 Cell	

**CAUTION\*\*:** Extra considerations must be given to depths of discharge, operating voltages and currents when designing systems for use at maximum temperatures.

### Electrical Specifications

Volts	12 V
RINT	4 mOhms
Short Circuit (68°F / 20°C)	2250 A
20 HR	120 Ah
10 HR	111 Ah
5 HR	93.5 Ah
1 HR	71.6 Ah
15 MIN	-
Standard Charge	50°F / -10°C to 122°F / 50°C
Standard Discharge	-4°F / -20°C to 122°F / 50°C
Maximum Discharge**	-40°F / -40°C to 140°F / 60°C

### Discharge Constant Current (Amperes at 77°F / 25°C)

End Point V/C	5 MIN	10 MIN	15 MIN	30 MIN	1 HR	3 HR	5 HR	10 HR	20 HR
1.60V	355	250	203	120	71.6	28.9	19.2	11.3	6.04
1.65V	329	237	195	116	71.1	28.3	19	11.2	6.03
1.70V	303	223	187	112	69.7	27.7	18.8	11.2	6.02
1.75V	277	210	179	108	67.5	27.1	18.7	11.1	6
1.80V	253	197	171	106	65.4	26.3	18.5	10.9	5.9

### Discharge Constant Power (Watts at 77°F / 25°C)

End Point V/C	5 MIN	10 MIN	15 MIN	30 MIN	45 MIN	1 HR	2 HR	3 HR	5 HR
1.60V	603	449	370	227	157	145	77.8	56.1	38.1
1.65V	567	426	358	220	153	143	76.4	55.4	37.9
1.70V	530	404	346	213	150	141	75	54.8	37.6
1.75V	494	383	334	206	146	137	73.6	54.1	37.4
1.80V	466	358	322	199	143	133	72.9	53.2	37

## AGM Series Features & Benefits

- Tank formed lead-tin-calcium plates deliver consistent dependable performance and promote long life.
- Maintenance-free technology
- 99% gas recombination for extended life in float applications.
- Multiple terminal, configuration options and carrying handles available with most models.
- Classified as a non-spillable battery and is not restricted for transportation by:
  - Air (IATA/ICAO provision 67)
  - Surface (DOT-CFR-HMR49)
  - Water (per IMDG amendment 27).
- Flame retardant ABS case and cover with UL94 V0 rating available.
- UL924 recognized flame arresting low pressure safety vents.
- 98% recyclable.
- Up to 12 year design life in float service.

## Certifications and Standards

Designed in accordance with and published in compliance with applicable BCI, IEC and BS EN standards, including:

- IEC60896-21/22
- BS EN 60254-1:2005
- AS/NZS 4029.2:2000 BS EN 60254-1:2005 (MOD).

Discover® and its facilities and products are certified to multiple standards:

- ISO, UL, QS, and TUV standards
- ETTS Germany
- Euro Bat classification for Environmental Stewardship Standards.



## Contact Us

**Discover Energy Corp.**  
 Suite 880-999 West Broadway  
 Vancouver BC V5Z 1K5 Canada  
 Tel: 604.730.2877  
 Email: [info@discover-energy.com](mailto:info@discover-energy.com)  
[www.discover-energy.com](http://www.discover-energy.com)

### Charging

Max Charge / Discharge Currents	Peak (5 seconds)	Peak (10 seconds)	Max Continuous
Charge	1C20Hr	0.75C20Hr	0.25C20Hr
Discharge	15C20Hr	10C20Hr	0.5C20Hr

**“Float” or “Stand-By” Service:** Hold a constant voltage source of 2.25vpc to 2.30vpc continuously. When held at this voltage, the battery will seek its own current level and maintain itself in a fully charged condition.

**Cyclic Application:** Limit initial currents to 0.25C20 ampere. Charge until battery voltage (under charge) reaches 2.4 to 2.45vpc. Hold at 2.40 to 2.45vpc until current drops to under 0.01C20 ampere. Battery is fully charged under these conditions, and charger should be disconnected or switched to “float” voltage.

**Temperature Coefficient:** Adjust Charging Voltage to +/- 0.005vpc/C, 0.003vpc/F from 25°C / 77°F.

### Performance Characteristics

